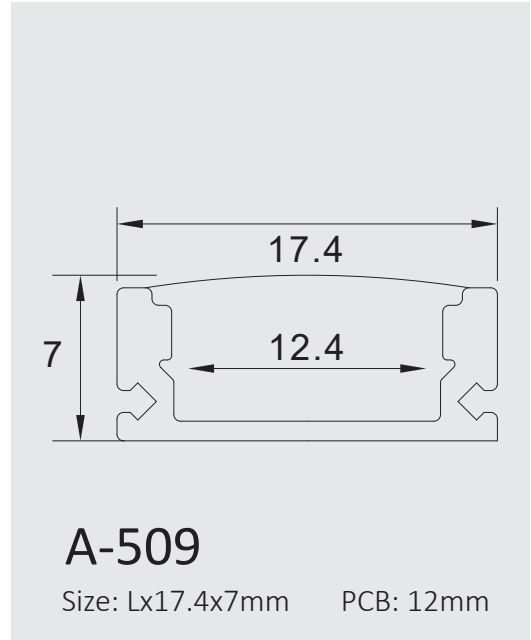
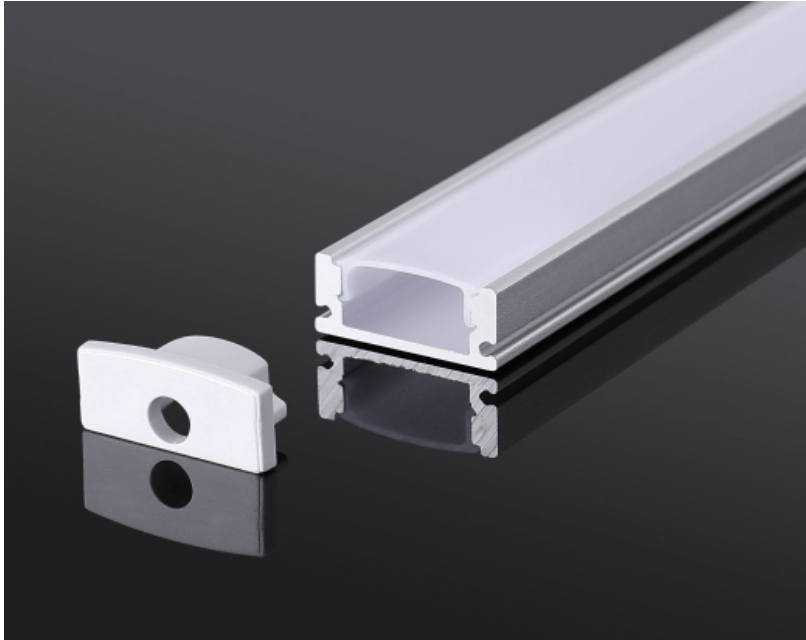


# PROLUX<sup>®</sup>

## ALUMINUM BAR

PROLUX Lighting meets various need of end-users and industries, offering efficient and good quality products with moderate price. We are proud to provide our customers' long life span products and also the lighting solutions.

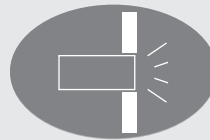
Our aim: Customers First, Quality First.  
Our brand, deserves your trust!



## INSTALLATION



Surface Mounted

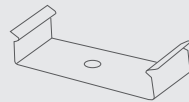


Embedded installation

## FITTINGS



End Cap



Mounting clips

## FEATURES

- High lumen SMD, which makes the light more bright
- Save 80% energy, increase Electricity conversion.
- Long lifespan, energy saving and cost saving



**PROLUX LIGHTING,  
DESERVE YOUR TRUST!**